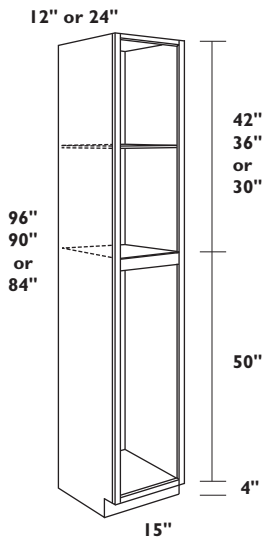


UTILITY CABINETS, FRONTS & SHELVES

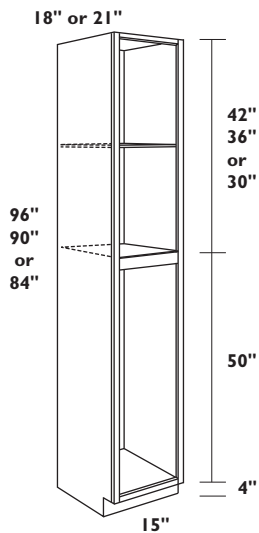
NOTE FOR ALL 90" UTILITY CABINETS AND FRONTS:
 Not available in Altair, Bali, Branford, Meridian and Shasta.



96", 90" or 84" HIGH x 15" WIDE SINGLE DOOR UTILITY CABINETS (24" and 12" DEEP)

- 5/8" thick adjustable shelf, upper section of 96" tall cabinet has two 5/8" thick adjustable shelves
- Lower portion of utility cabinet shipped without shelves
- Order UCS_ _ _ _ shelves separately for lower section (see page 80)
- Opening height is 46-7/8" in lower section
- 3 hinges per door on lower section
- 3 hinges per door for upper section on 96" tall cabinets
- 2 hinges per door for upper section on 90" and 84" tall cabinets
- Specify L or R door hinging
- Toe kick shipped loose on 96" high cabinets
- Single door top and bottom
- Not available in Altair and Meridian

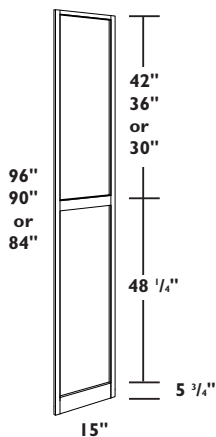
UC1512x96 L or R (12" depth)
 UC1524x96 L or R (24" depth)
 UC1512x90 L or R (12" depth)
 UC1524x90 L or R (24" depth)
 UC1512 L or R (12" depth)
 UC1524 L or R (24" depth)



96", 90" or 84" HIGH x 15" WIDE SINGLE DOOR UTILITY CABINETS (21" and 18" DEEP)

- 5/8" thick adjustable shelf, upper section of 96" tall cabinet has two 5/8" thick adjustable shelves
- Lower portion of utility cabinet shipped without shelves
- Order UCS_ _ _ _ shelves separately for lower section (see page 80)
- Opening height is 46-7/8" in lower section
- 3 hinges per door on lower section
- 3 hinges per door for upper section on 96" tall cabinets
- 2 hinges per door for upper section on 90" and 84" tall cabinets
- Specify L or R door hinging
- Toe kick shipped loose on 96" high cabinets
- Single door top and bottom
- Not available in Altair and Meridian

UC1518x96 L or R (18" depth)
 UC1521x96 L or R (21" depth)
 UC1518x90 L or R (18" depth)
 UC1521x90 L or R (21" depth)
 UC1518 L or R (18" depth)
 UC1521 L or R (21" depth)



96", 90" or 84" HIGH x 15" WIDE SINGLE DOOR UTILITY CABINET FRONT

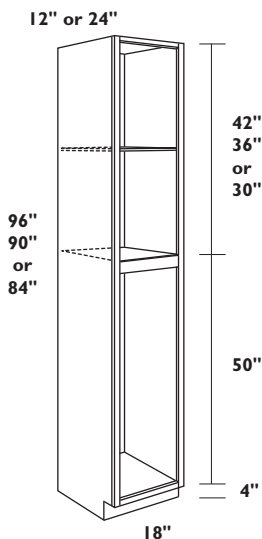
- 3 hinges per door on lower section
- 3 hinges per door for upper section on 96" tall cabinets
- 2 hinges per door for upper section on 90" and 84" tall cabinets
- Specify L or R door hinging
- Non-trimmable
- Single door top and bottom
- Not available in Altair and Meridian

UCF15x96 L or R
 UCF15x90 L or R
 UCF15 L or R

www.armstrong.com

UTILITY CABINETS, FRONTS & SHELVES

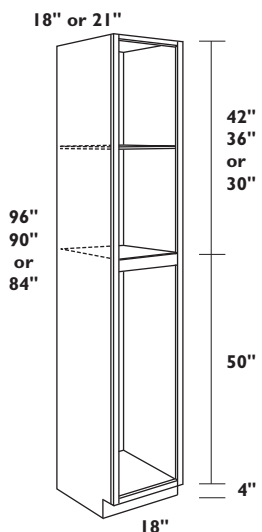
NOTE FOR ALL 90" UTILITY CABINETS AND FRONTS:
Not available in Altair, Bali, Branford, Meridian and Shasta.



96", 90" or 84" HIGH x 18" WIDE SINGLE DOOR UTILITY CABINETS (24" and 12" DEEP)

- 5/8" thick adjustable shelf, upper section of 96" tall cabinet has two 5/8" thick adjustable shelves
- Lower portion of utility cabinet shipped without shelves
- Order UCS_ _ _ _ shelves separately for lower section (see page 80)
- Opening height is 46-7/8" in lower section
- 3 hinges per door on lower section
- 3 hinges per door for upper section on 96" tall cabinets
- 2 hinges per door for upper section on 90" and 84" tall cabinets
- Specify L or R door hinging
- Toe kick shipped loose on 96" high cabinets
- Single door top and bottom

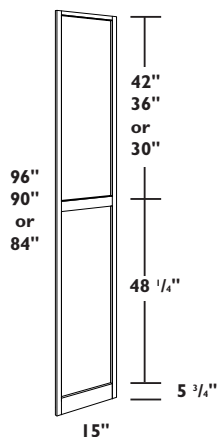
- UC1812x96 L or R (12" depth)
- UC1824x96 L or R (24" depth)
- UC1812x90 L or R (12" depth)
- UC1824x90 L or R (24" depth)
- UC1812 L or R (12" depth)
- UC1824 L or R (24" depth)



96", 90" or 84" HIGH x 18" WIDE SINGLE DOOR UTILITY CABINETS (21" and 18" DEEP)

- 5/8" thick adjustable shelf, upper section of 96" tall cabinet has two 5/8" thick adjustable shelves
- Lower portion of utility cabinet shipped without shelves
- Order UCS_ _ _ _ shelves separately for lower section (see page 80)
- Opening height is 46-7/8" in lower section
- 3 hinges per door on lower section
- 3 hinges per door for upper section on 96" tall cabinets
- 2 hinges per door for upper section on 90" and 84" tall cabinets
- Specify L or R door hinging
- Toe kick shipped loose on 96" high cabinets
- Single door top and bottom

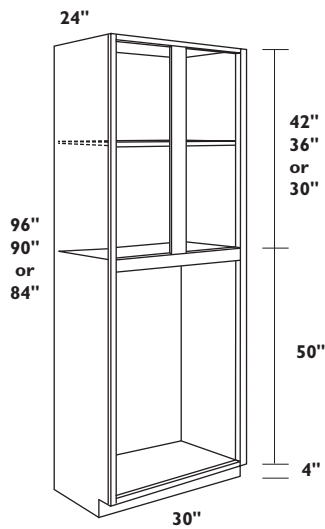
- UC1818x96 L or R (18" depth)
- UC1821x96 L or R (21" depth)
- UC1818x90 L or R (18" depth)
- UC1821x90 L or R (21" depth)
- UC1818 L or R (18" depth)
- UC1821 L or R (21" depth)



96", 90" or 84" HIGH x 18" WIDE SINGLE DOOR UTILITY CABINET FRONT

- 3 hinges per door on lower section
- 3 hinges per door for upper section on 96" tall cabinets
- 2 hinges per door for upper section on 90" and 84" tall cabinets
- Specify L or R door hinging
- Non-trimmable
- Single door top and bottom

- UCF18x96 L or R
- UCF18x90 L or R
- UCF18 L or R



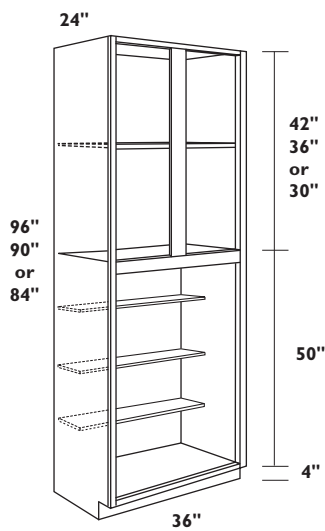
96", 90" or 84" HIGH x 30" WIDE BUTT DOOR UTILITY CABINETS (24" DEEP)

- 5/8" thick adjustable shelf, upper section of 96" tall cabinet has two 5/8" thick adjustable shelves
- Order UCS3024 shelves separately for lower section (see page 80)
- Opening height is 46-7/8" in lower section
- 3 hinges per door on lower section
- 3 hinges per door for upper section on 96" tall cabinets
- 2 hinges per door for upper section on 90" and 84" tall cabinets
- Toe kick shipped loose on 96" high cabinets
- Butt door top and bottom
- Not available in Altair and Meridian

UC3024x96 (24" depth)
UC3024x90 (24" depth)
UC3024 (24" depth)

UTILITY CABINETS, FRONTS & SHELVES

NOTE FOR ALL 90" UTILITY CABINETS AND FRONTS:
Not available in Altair, Bali, Branford, Meridian and Shasta.



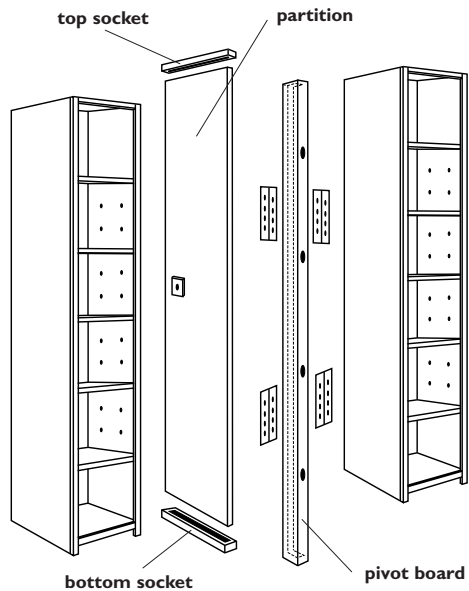
96", 90" or 84" HIGH x 36" WIDE BUTT DOOR UTILITY CABINETS (24" DEEP)

- 5/8" thick adjustable shelf, upper section of 96" tall cabinet has two 5/8" thick adjustable shelves
- Three 7" deep adjustable shelves shipped on inside lower portion back of cabinet
- Order UCS3624 shelves separately for lower section (see page 80)
- Opening height is 46-7/8" in lower section
- 3 hinges per door on lower section
- 3 hinges per door for upper section on 96" tall cabinets
- 2 hinges per door for upper section on 90" and 84" tall cabinets
- Toe kick shipped loose on 96" high cabinets
- Butt door top and bottom
- Not available in Altair, Bali, Branford, Caruth, Coronet, Meridian and Shasta door styles.

UC3624x96 (24" depth)
UC3624x90 (24" depth)
UC3624 (24" depth)

UTILITY CABINETS, FRONTS & SHELVES

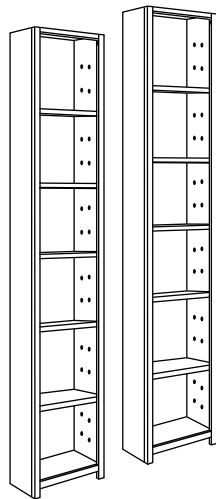
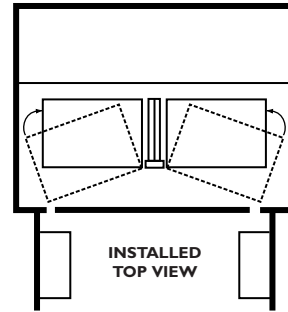
NOTE FOR ALL 90" UTILITY CABINETS AND FRONTS:
Not available in Altair, Bali, Branford, Meridian and Shasta.



PANTRY CABINET SWING OUT SHELF KIT

- Set of two swing out shelves
- Three adjustable shelves and two fixed shelves for each swing out unit
- Designed to install inside of 36" wide x 24" deep x 96", 90" or 84" high utility cabinet shown above.
- Field installation required

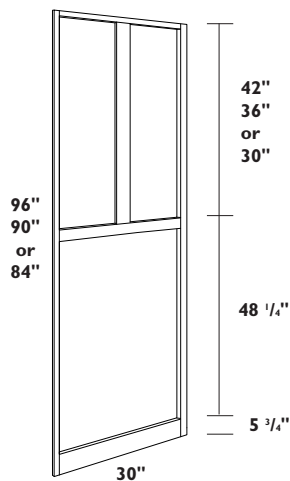
PCSK36



PANTRY CABINET DOOR SHELVES

- Set of two
- Five adjustable shelves for each door shelf
- Designed to install on backside of 36" wide x 24" deep x 96", 90" or 84" high utility cabinet.
- Field installation required
- PCDS36 door shelves not available for use with Bali, Branford, Caruth, Rutledge and Siena door styles

PCDS36



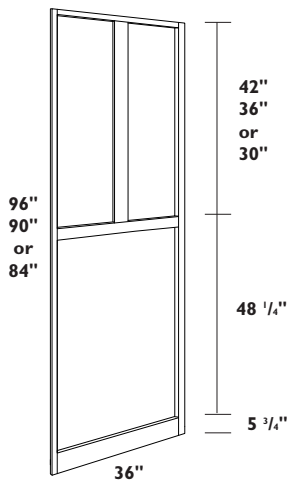
96", 90" or 84" HIGH x 30" WIDE BUTT DOOR UTILITY CABINET FRONT

- Non-trimmable
- 3 hinges per door on lower section
- 3 hinges per door for upper section on 96" tall cabinets
- 2 hinges per door for upper section on 90" and 84" tall cabinets
- Butt doors top and bottom

UCF30x96
UCF30x90
UCF30

UTILITY CABINETS, FRONTS & SHELVES

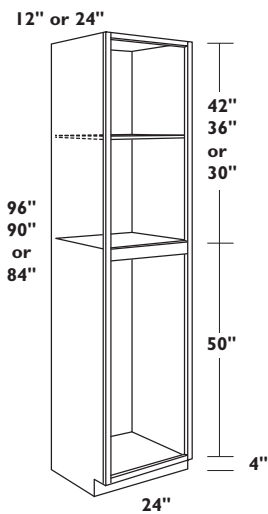
NOTE FOR ALL 90" UTILITY CABINETS AND FRONTS:
Not available in Altair, Bali, Branford, Meridian and Shasta.



96", 90" or 84" HIGH x 36" WIDE BUTT DOOR UTILITY CABINET FRONT

- Non-trimmable
- 3 hinges per door on lower section
- 3 hinges per door for upper section on 96" tall cabinets
- 2 hinges per door for upper section on 90" and 84" tall cabinets
- Butt doors top and bottom
- Not available in Altair, Bali, Branford, Caruth, Coronet, Meridian and Shasta door styles

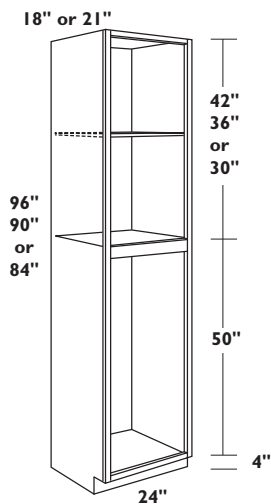
UCF36x96
UCF36x90
UCF36



96", 90" or 84" HIGH x 24" WIDE BUTT DOOR UTILITY CABINETS (24" and 12" DEEP)

- 5/8" thick adjustable shelf, upper section of 96" tall cabinet has two 5/8" thick adjustable shelves
- Lower portion of utility cabinet shipped without shelves
- Order UCS_ _ _ shelves separately for lower section (see page 80)
- Opening height is 46-7/8" in lower section
- 3 hinges per door on lower section
- 3 hinges per door for upper section on 96" tall cabinets
- 2 hinges per door for upper section on 90" and 84" tall cabinets
- Toe kick shipped loose on 96" high cabinets
- Butt door top and bottom

UC2412x96 (12" depth)
UC2424x96 (24" depth)
UC2412x90 (12" depth)
UC2424x90 (24" depth)
UC2412 (12" depth)
UC2424 (24" depth)



96", 90" or 84" HIGH x 24" WIDE BUTT DOOR UTILITY CABINETS (21" and 18" DEEP)

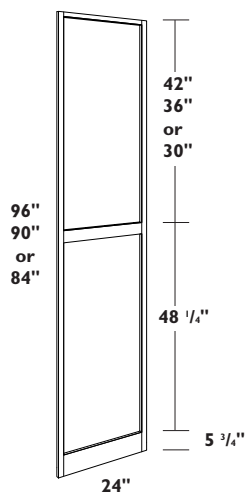
- 5/8" thick adjustable shelf, upper section of 96" tall cabinet has two 5/8" thick adjustable shelves
- Lower portion of utility cabinet shipped without shelves
- Order UCS_ _ _ shelves separately for lower section (see page 80)
- Opening height is 46-7/8" in lower section
- 3 hinges per door on lower section
- 3 hinges per door for upper section on 96" tall cabinets
- 2 hinges per door for upper section on 90" and 84" tall cabinets
- Toe kick shipped loose on 96" high cabinets
- Butt door top and bottom

UC2418x96 (18" depth)
UC2421x96 (21" depth)
UC2418x90 (18" depth)
UC2421x90 (21" depth)
UC2418 (18" depth)
UC2421 (21" depth)

www.armstrong.com

UTILITY CABINETS, FRONTS & SHELVES

NOTE FOR ALL 90" UTILITY CABINETS AND FRONTS:
Not available in Altair, Bali, Branford, Meridian and Shasta.

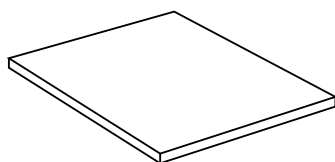


96", 90" or 84" HIGH x 24" WIDE BUTT DOOR UTILITY CABINET FRONT

- Non-trimmable
- 3 hinges per door on lower section
- 3 hinges per door for upper section on 96" tall cabinets
- 2 hinges per door for upper section on 90" and 84" tall cabinets
- Butt doors top and bottom

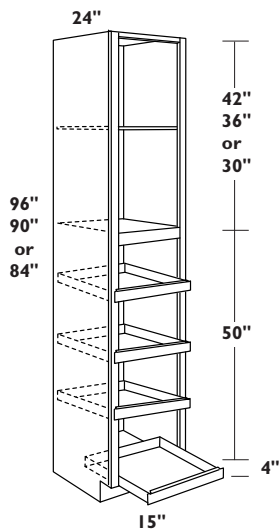
UCF24x96
UCF24x90
UCF24

UTILITY CABINET SHELVES



- 5/8" thick adjustable shelves for lower portion of utility cabinets
- Each shelf shipped with 4 shelf clips
- Laminate composite panel for Premier construction, or birch plywood for Allwood and Extreme construction

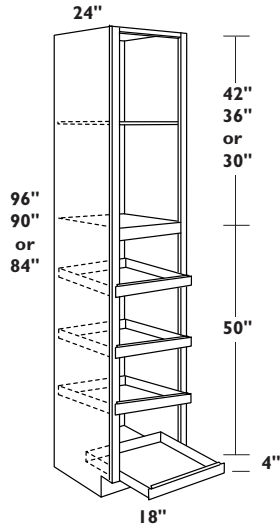
- UCS1512 (13-5/16" wide x 10-7/8" deep)
- UCS1518 (13-5/16" wide x 16-7/8" deep)
- UCS1521 (13-5/16" wide x 19-7/8" deep)
- UCS1524 (13-5/16" wide x 22-7/8" deep)
- UCS1812 (16-5/16" wide x 10-7/8" deep)
- UCS1818 (16-5/16" wide x 16-7/8" deep)
- UCS1821 (16-5/16" wide x 19-7/8" deep)
- UCS1824 (16-5/16" wide x 22-7/8" deep)
- UCS2412 (22-5/16" wide x 10-7/8" deep)
- UCS2418 (22-5/16" wide x 16-7/8" deep)
- UCS2421 (22-5/16" wide x 19-7/8" deep)
- UCS2424 (22-5/16" wide x 22-7/8" deep)
- UCS3024 (28-5/16" wide x 22-7/8" deep)
- UCS3612 (34-5/16" wide x 10-7/8" deep)
- UCS3624 (34-5/16" wide x 22-7/8" deep)



96", 90" or 84" HIGH x 15" WIDE SINGLE DOOR PANTRY CABINETS (24" DEEP)

- 5/8" thick adjustable shelf, upper section of 96" tall cabinet has two 5/8" thick adjustable shelves
- Lower portion of utility cabinet shipped with 4 pull out shelf trays.
- 3 hinges per door on lower section
- 3 hinges per door for upper section on 96" tall cabinets
- 2 hinges per door for upper section on 90" and 84" tall cabinets
- Specify L or R door hinging
- Toe kick shipped loose on 96" high cabinets
- Single door top and bottom
- Not available in Altair and Meridian

PCI524x96 L or R (24" depth)
PCI524x90 L or R (24" depth)
PCI524 L or R (24" depth)



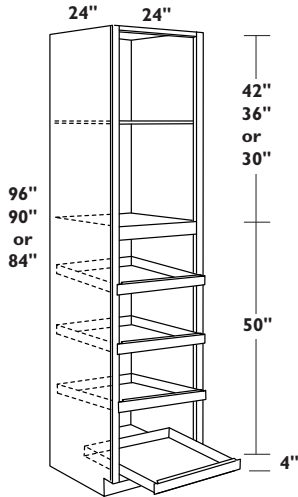
96", 90" or 84" HIGH x 18" WIDE SINGLE DOOR PANTRY CABINETS (24" DEEP)

- 5/8" thick adjustable shelf, upper section of 96" tall cabinet has two 5/8" thick adjustable shelves
- Lower portion of utility cabinet shipped with 4 pull out shelf trays.
- 3 hinges per door on lower section
- 3 hinges per door for upper section on 96" tall cabinets
- 2 hinges per door for upper section on 90" and 84" tall cabinets
- Specify L or R door hinging
- Toe kick shipped loose on 96" high cabinets
- Single door top and bottom

PC1824x96 L or R (24" depth)
 PC1824x90 L or R (24" depth)
 PC1824 L or R (24" depth)

PANTRY CABINETS

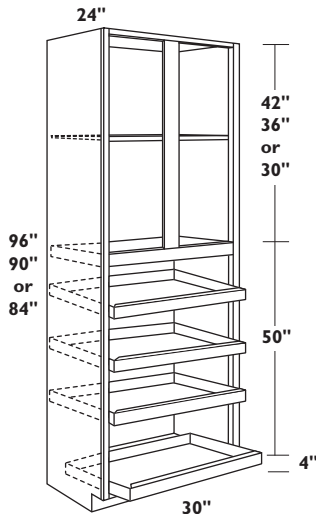
NOTE FOR ALL 90" PANTRY CABINETS AND FRONTS:
 Not available in Altair, Bali, Branford, Meridian and Shasta.



96", 90" or 84" HIGH x 24" WIDE BUTT DOOR PANTRY CABINETS

- 5/8" thick adjustable shelf, upper section of 96" tall cabinet has two 5/8" thick adjustable shelves
- Lower portion of utility cabinet shipped with 4 pull out shelf trays.
- 3 hinges per door on lower section
- 3 hinges per door for upper section on 96" tall cabinets
- 2 hinges per door for upper section on 90" and 84" tall cabinets
- Toe kick shipped loose on 96" high cabinets
- Butt doors top and bottom

PC2424x96 (24" depth)
 PC2424x90 (24" depth)
 PC2424 (24" depth)



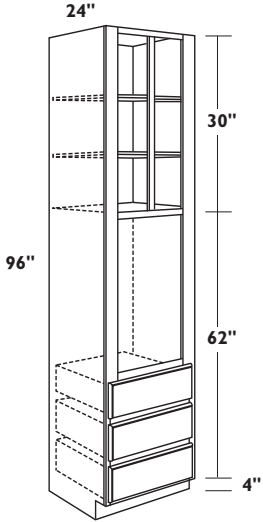
96", 90" or 84" HIGH x 30" WIDE BUTT DOOR PANTRY CABINETS (24" DEEP)

- 5/8" thick adjustable shelf, upper section of 96" tall cabinet has two 5/8" thick adjustable shelves
- Lower portion of utility cabinet shipped with 4 pull out shelf trays.
- 3 hinges per door on lower section
- 3 hinges per door for upper section on 96" tall cabinets
- 2 hinges per door for upper section on 90" and 84" tall cabinets
- Toe kick shipped loose on 96" high cabinets
- Butt doors top and bottom
- Not available in Altair and Meridian

PC3024x96 (24" depth)
 PC3024x90 (24" depth)
 PC3024 (24" depth)

www.armstrong.com

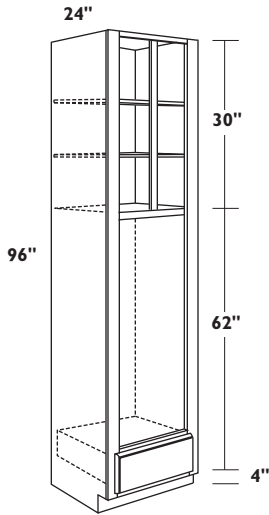
OVEN CABINETS



96" HIGH TRIPLE DRAWER OVEN CABINETS

- Three standard depth drawers on bottom
- Trimmable drawers for larger ovens
- Upper portion of cabinet has two 5/8" thick adjustable shelves
- Toe Kick shipped loose

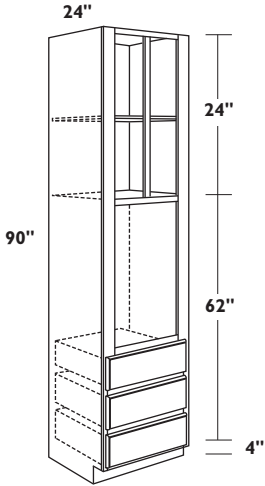
OV27Dx96
 OV30Dx96
 OV33Dx96



96" HIGH SINGLE DRAWER OVEN CABINETS

- One standard depth drawer on bottom
- Upper portion of cabinet has two 5/8" thick adjustable shelves
- Toe Kick shipped loose

OV27Sx96
 OV30Sx96
 OV33Sx96

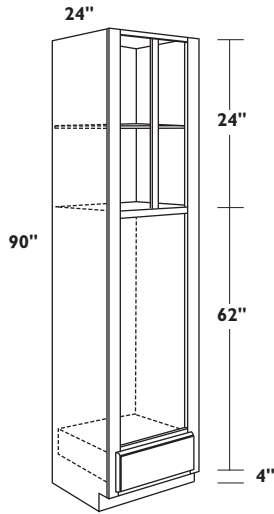


90" HIGH TRIPLE DRAWER OVEN CABINETS

- Three standard depth drawers on bottom
- Trimmable drawers for larger ovens
- Upper portion of cabinet has a 5/8" thick adjustable shelf

OV27Dx90
 OV30Dx90
 OV33Dx90

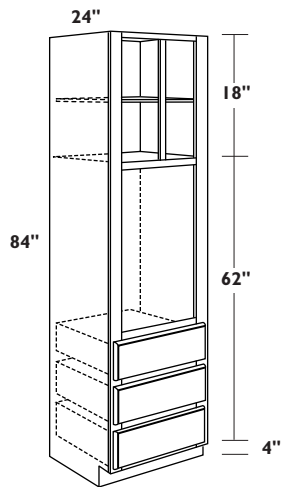
OVEN CABINETS



90" HIGH SINGLE DRAWER OVEN CABINETS

- One standard depth drawer on bottom
- Upper portion of cabinet has a 5/8" thick adjustable shelf

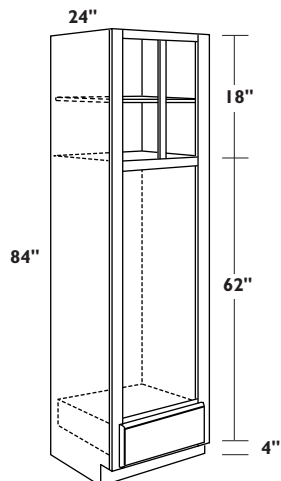
OV27Sx90
OV30Sx90
OV33Sx90



84" HIGH TRIPLE DRAWER OVEN CABINETS

- Three standard depth drawers on bottom
- Trimmable drawers for larger ovens
- Upper portion of cabinet has a 5/8" thick adjustable shelf

OV27D
OV30D
OV33D

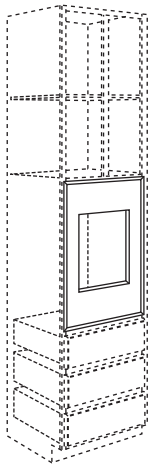


84" HIGH SINGLE DRAWER OVEN CABINETS

- One standard depth drawer on bottom
- Upper portion of cabinet has a 5/8" thick adjustable shelf

OV27S
OV30S
OV33S

OVEN CABINETS



OVEN CABINET OVERLAY

- Overlay shipped loose for field installation on Oven Cabinets and must be ordered separately
- For Full Overlay door styles only
- Quadric and Summit Hill overlay panels are solid

OLAY27D
OLAY30D
OLAY33D

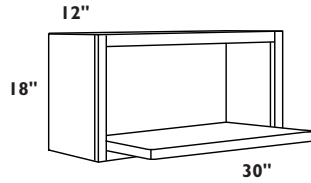
OLAY27S
OLAY30S
OLAY33S

OVEN CABINETS MINIMUM/MAXIMUM CUT-OUT SIZES

OVEN CABINET 96", 90" & 84" Heights	MINIMUM HEIGHT*		MAXIMUM HEIGHT		MINIMUM WIDTH*		MAXIMUM WIDTH All Styles
	Stand. Reveal Styles	Full Overlay Styles	Stand. Reveal Styles	Full Overlay Styles	Stand. Reveal Styles	Full Overlay Styles	
OV27D	24"	19"	60"	36-3/4"	21"	20-3/4"	25"
OV30D	24"	19"	60"	36-3/4"	24"	23-3/4"	28"
OV33D	24"	19"	60"	36-3/4"	27"	26-3/4"	31"
OV27S	43-1/2"	34-1/4"	60"	52"	21"	20-3/4"	25"
OV30S	43-1/2"	34-1/4"	60"	52"	24"	23-3/4"	28"
OV33S	43-1/2"	34-1/4"	60"	52"	27"	26-3/4"	31"

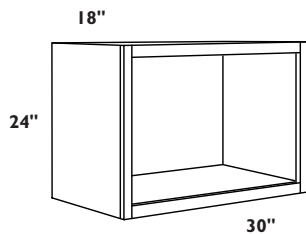
*NOTE: Quadric and Summit Hill oven overlay panels are solid, therefore no minimum width or height apply.

MICROWAVE CABINETS



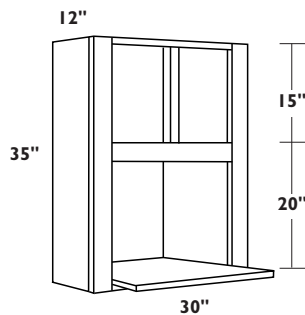
18" HIGH x 12" DEEP MICROWAVE CABINETS WITH SHELF

- Shelf is 18" deep x 3/4" thick
- Outside corners of shelf have a slight radius
- Shelves are Oak, Maple or Cherry veneer
- Microwave cabinets do not automatically come with finished interiors
- For finished interior cabinets prefix **FI** to nomenclature
- **FI** available in Allwood construction only with oak, maple or cherry plywood interiors
- 27" w x 14-1/2" h opening excluding 3/4" shelf

MCS3018x12 **FI**

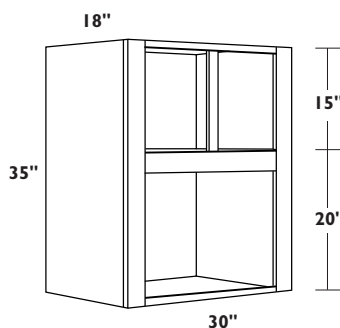
24" HIGH x 18" DEEP MICROWAVE CABINETS

- Microwave cabinets do not automatically come with finished interiors
- For finished interior cabinets prefix **FI** to nomenclature
- **FI** available in Allwood construction only with oak, maple or cherry plywood interiors
- 27" w x 20-1/2" h opening
- This cabinet must be installed between walls and/or adjacent cabinetry of equal depth

MC3024x18 **FI**

35" HIGH x 12" DEEP MICROWAVE CABINETS WITH SHELF

- Shelf is 18" deep x 3/4" thick
- Outside corners of shelf have a slight radius
- Shelf must be notched for field installation
- Shelves are Oak, Maple or Cherry veneer
- Microwave cabinets do not automatically come with finished interiors
- For finished interior cabinets prefix **FI** to nomenclature
- **FI** available in Allwood construction only with oak, maple or cherry plywood interiors
- Cabinet shipped with 23" w x 13-3/4" h opening excluding shelf
- Trimmable Max Cut Out: 28" w x 19" h

MCS3035x12 **FI**

35" HIGH x 18" DEEP MICROWAVE CABINETS

- Microwave cabinets do not automatically come with finished interiors
- For finished interior cabinets prefix **FI** to nomenclature
- **FI** available in Allwood construction only with oak, maple or cherry plywood interiors
- Cabinet shipped with 23" w x 13-3/4" h opening
- Trimmable Max Cut Out: 28" w x 19" h
- This cabinet must be installed between walls and/or adjacent cabinetry of equal depth

MC3035 **FI**

OPTION KEY

- FI** Finished Interior: Matching Oak, Maple or Cherry veneer. Available in Allwood construction only.

www.armstrong.com

