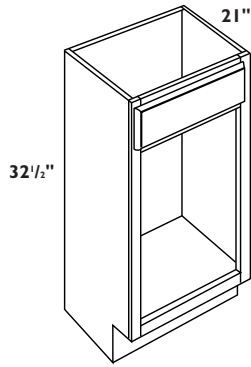


VANITY BASE CABINETS

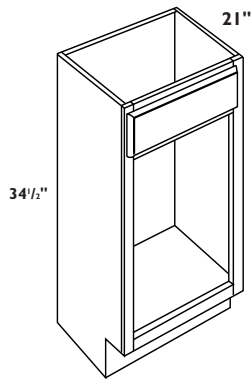


21" DEEP VANITY SINK CABINETS

- Specify L or R door hinging
- Two hinges per door

V18 L or R **AD**

V21 L or R **AD**

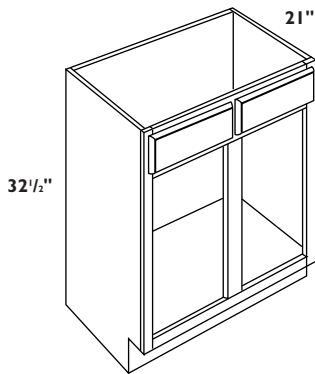


21" DEEP x 34-1/2" HIGH VANITY SINK CABINETS

- Specify L or R door hinging
- Two hinges per door

V18H L or R **AD**

V21H L or R **AD**



21" DEEP VANITY SINK CABINETS

- V24, V27, V30, V33 and V36 have one wide drawer head
- Two hinges per door

V24 **AD**

V27 **AD**

V30 **AD**

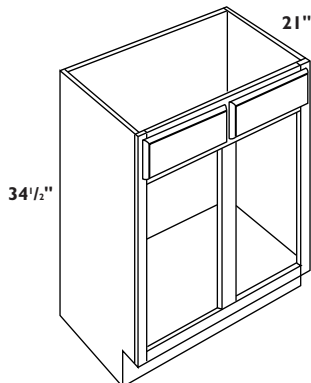
V33 **AD**

V36 **AD**

V39 **AD**

V42 **AD**

V45 **AD**



21" DEEP x 34-1/2" HIGH VANITY SINK CABINETS

- V24H, V27H, V30H, V33H and V36H have one wide drawer head
- Two hinges per door

V24H **AD**

V27H **AD**

V30H **AD**

V33H **AD**

V36H **AD**

V39H **AD**

V42H **AD**

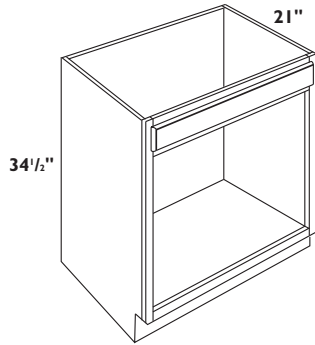
V45H **AD**

OPTION KEY

AD Altered Depth:
Available in
18" deep option
on vanity
cabinets

www.armstrong.com

VANITY BASE CABINETS



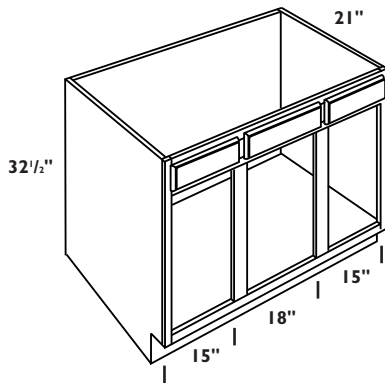
21" DEEP x 34-1/2" HIGH BUTT DOOR VANITY SINK CABINETS

- Two hinges per door

V27BDH

V30BDH

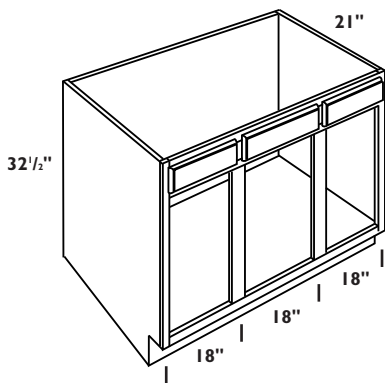
V33BDH



21" DEEP VANITY SINK CABINET

- Two hinges per door

V48 **AD**



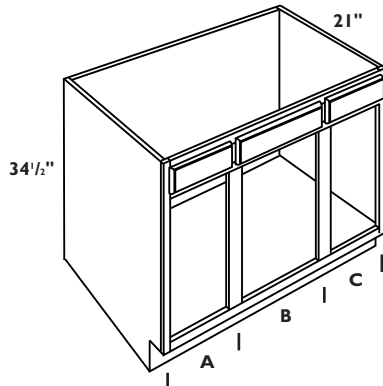
21" DEEP VANITY SINK CABINET

- Two hinges per door

V54 **AD**

OPTION KEY

- AD** Altered Depth:
Available in
18" deep option
on vanity
cabinets

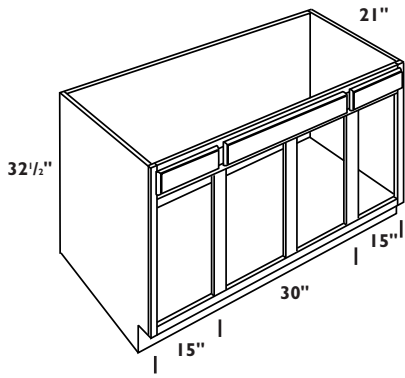


21" DEEP x 34-1/2" HIGH VANITY SINK CABINETS

- Two hinges per door

	A	B	C
V48H	15"	18"	15"
V54H	18"	18"	18"

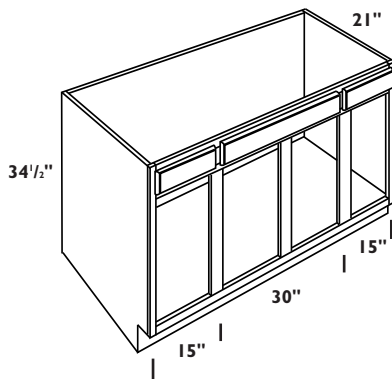
VANITY
BASE
CABINETS



21" DEEP VANITY SINK CABINET

- Two hinges per door

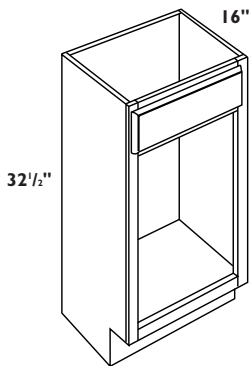
V60 **AD**



21" DEEP x 34-1/2" HIGH VANITY SINK CABINET

- Two hinges per door

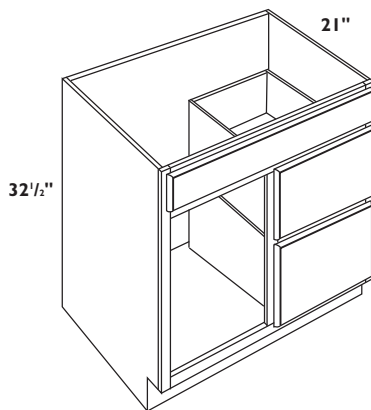
V60H



16" DEEP VANITY SINK CABINET

- Specify L or R door hinging
- Two hinges per door

VSS18 L or R



21" DEEP VANITY DRAWER SINK CABINETS

- Specify L or R for two working drawers on bottom (right shown)
- Two hinges per door
- * VD42 has two dummy drawer fronts

VD30 L or R **AD**

VD36 L or R **AD**

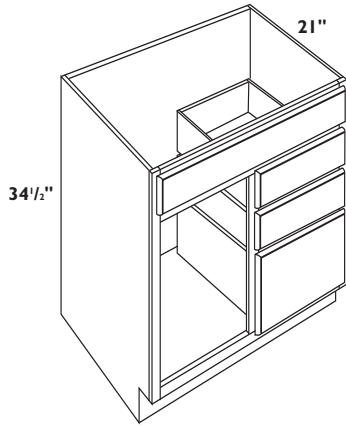
*VD42 L or R **AD**

OPTION KEY

- AD** Altered Depth: Available in 18" deep option on vanity cabinets

www.armstrong.com

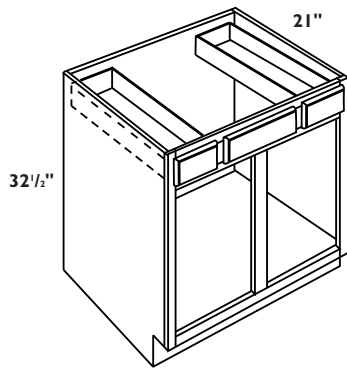
VANITY BASE CABINETS



21" DEEP x 34-1/2" HIGH VANITY DRAWER SINK CABINETS

- Specify L or R for three working drawers on bottom (right shown)
- Two hinges per door
- *VD42H has two dummy drawer fronts

VD30H L or R
VD36H L or R
*VD42H L or R

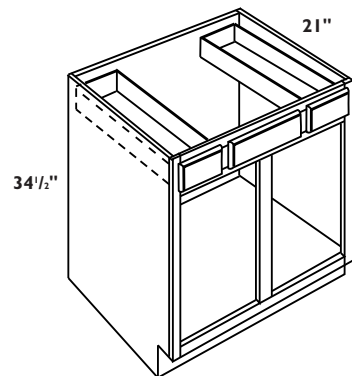


21" DEEP VANITY DRAWER SINK CABINETS

- Two hinges per door
- * Two drawers on top are thin profile drawers that only accommodate slab profiling on VB36 cabinets. Not available in five piece construction in LaCerise, Sedona, Serenity and Waverly door styles. Not available in glaze finish.

*VB36 **AD**

VB42 **AD**



21" DEEP x 34-1/2" HIGH VANITY DRAWER SINK CABINETS

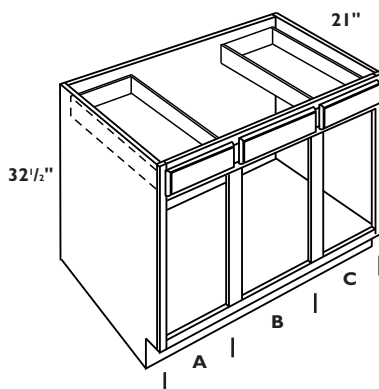
- Two hinges per door
- * Two drawers on top are thin profile drawers that only accommodate slab profiling on VB36H cabinets. Not available in five piece construction in Arborcrest, LaCerise, Sedona, Serenity, Town&Country and Waverly door styles. Not available in glaze finish.

*VB36H **AD**

VB42H **AD**

OPTION KEY

AD Altered Depth:
Available in
18" deep option
on vanity
cabinets



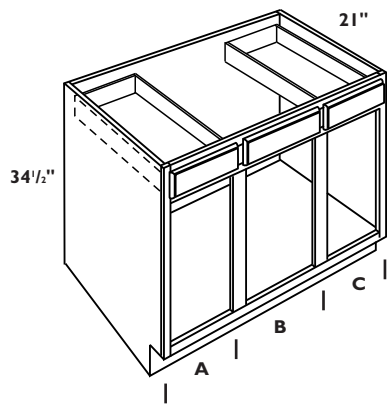
21" DEEP VANITY DRAWER SINK CABINETS

- Two hinges per door

VB48 **AD** A B C
 15" 18" 15"

VB54 **AD** 18" 18" 18"

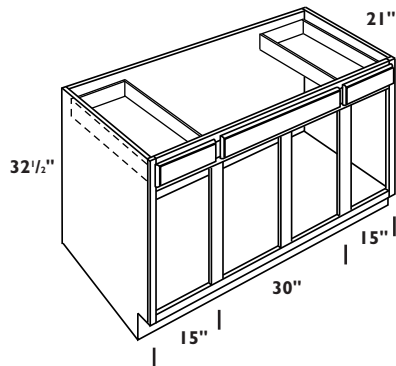
VANITY BASE CABINETS



21" DEEP x 34-1/2" HIGH VANITY DRAWER SINK CABINETS

- Two hinges per door

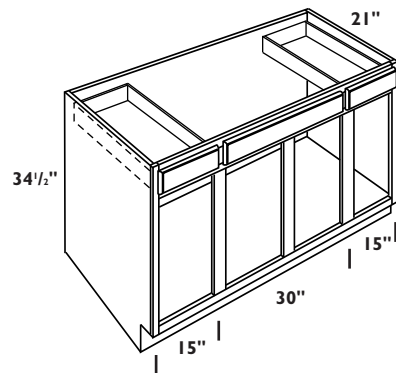
	A	B	C
VB48H AD	15"	18"	15"
VB54H AD	18"	18"	18"



21" DEEP VANITY DRAWER SINK CABINET

- Two hinges per door

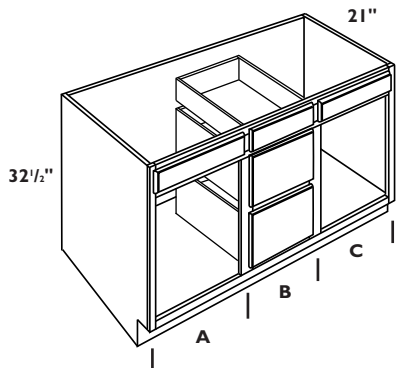
VB60 **AD**



21" DEEP x 34-1/2" HIGH VANITY DRAWER SINK CABINET

- Two hinges per door

VB60H



21" DEEP DOUBLE SINK DRAWER BASE CABINETS

- Two hinges per door

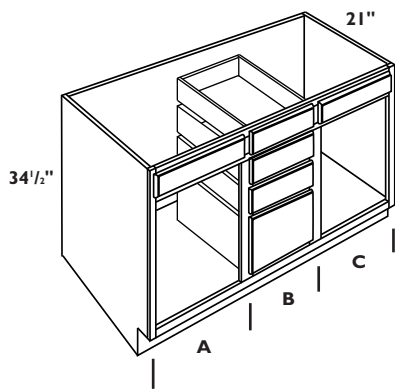
	A	B	C
VDB54	21"	12"	21"
VDB60	24"	12"	24"

OPTION KEY

AD Altered Depth:
Available in
18" deep option
on vanity
cabinets

www.armstrong.com

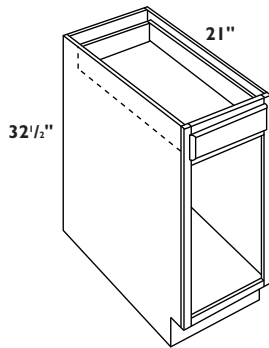
VANITY BASE CABINETS



21" DEEP x 34-1/2" HIGH DOUBLE SINK DRAWER BASE CABINETS

- Two hinges per door

	A	B	C
VDB54H	21"	12"	21"
VDB60H	24"	12"	24"



21" DEEP VANITY BASE CABINETS

- Specify L or R door hinging
- Two hinges per door
- * Calibra, Coronet and Moderno have two butt doors on VB24

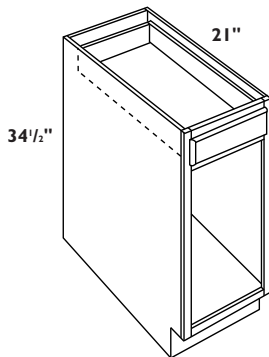
VB12 L or R **AD**

VB15 L or R **AD**

VB18 L or R **AD**

VB21 L or R **AD**

*VB24 L or R **AD**



21" DEEP x 34-1/2" HIGH VANITY BASE CABINETS

- Specify L or R door hinging
- Two hinges per door
- * Calibra, Coronet and Moderno have two butt doors on VB24H

VB12H L or R **AD**

VB15H L or R **AD**

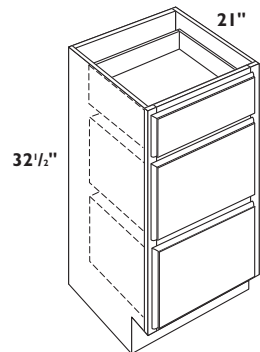
VB18H L or R **AD**

VB21H L or R **AD**

*VB24H L or R **AD**

OPTION KEY

AD Altered Depth:
Available in
18" deep option
on vanity
cabinets



21" DEEP VANITY DRAWER BASE CABINETS

- One standard depth drawer on top and two deep drawers on bottom

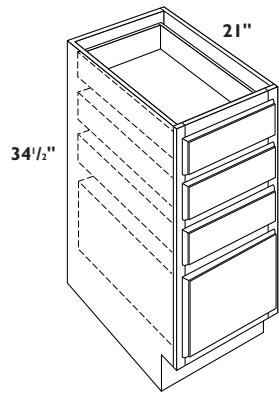
VDB12 **AD**

VDB15 **AD**

VDB18 **AD**

VDB21 **AD**

VDB24 **AD**



21" DEEP x 34-1/2" HIGH VANITY DRAWER BASE CABINETS

- Three standard depth drawers on top and one deep drawer on bottom

VDB12H **AD**

VDB15H **AD**

VDB18H **AD**

VDB21H **AD**

VDB24H **AD**

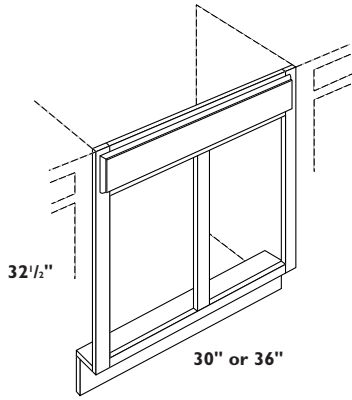
VANITY BASE CABINETS

OPTION KEY

- AD** Altered Depth:
Available in
18" deep option
on vanity
cabinets

www.armstrong.com

VANITY SINK FRONTS & WALL CABINET

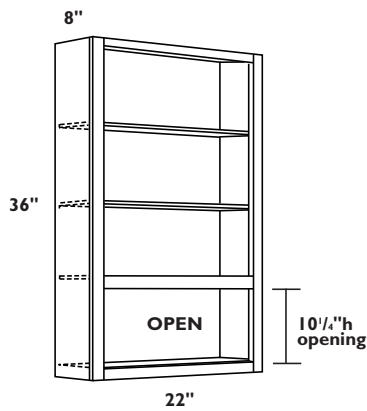


VANITY SINK FRONTS

- Two hinges per door
- Non-trimmable
- Sink fronts made to be trimmable 3" per side available upon request. Add suffix "T" – example VF30T or VF36T

VSF30 (orVF30T)

VSF36 (orVF36T)



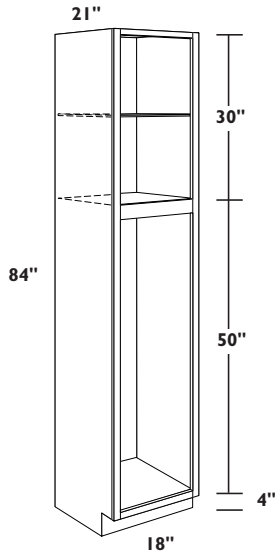
VANITY WALL CABINETS

- Two hinges per door
- Two adjustable shelves in upper section
- Two butt doors
- **FI** denotes finished interior cabinet
- Open section at bottom of cabinet does not automatically come with finished interior
- **FI** available in Allwood construction only with Oak, Maple or Cherry plywood interior.

VW2236 **FI**

OPTION KEY

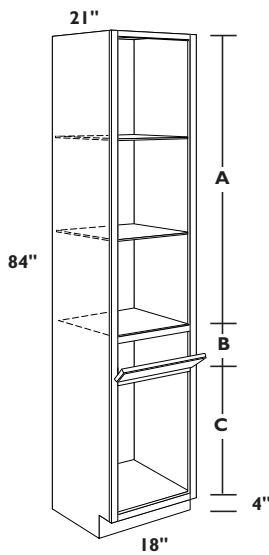
- FI** Finished Interior: Matching Oak, Maple or Cherry veneer: Available in Allwood construction only.



84" HIGH VANITY LINEN CABINET

- Specify L or R door hinging
- Single door top and bottom
- Two hinges per door on upper section and three hinges per door on lower section
- Upper portion has 5/8" thick adjustable shelf. Lower portion shipped without shelves.
- For lower section order VLS21 adjustable shelves separately

VLCI821 L or R



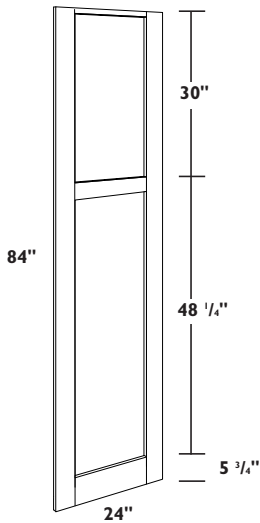
84" HIGH VANITY LINEN HAMPER CABINET

- Specify L or R door hinging
- Single door top, tilt-out front and single door bottom
- Two hinges per door on lower section and three hinges per door on upper section
- Upper portion has two 5/8" thick adjustable shelves

FACE FRAME SIZING

	Section	Standard Reveal	Full Overlay
A =	Upper	48-5/8"	49-1/8"
B =	Hamper	7-9/16"	8-7/8"
C =	Lower	22-1/16"	20-3/8"

VLHI821 L or R

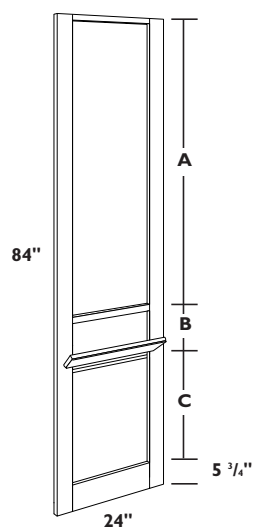


84" HIGH VANITY LINEN CABINET FRONT

- Specify L or R door hinging
- Single door top and bottom
- Two hinges per door on upper section and three hinges per door on lower section
- Trimmable 3" per side

VLCF24 L or R

VANITY
LINEN
CABINETS,
FRONTS,
& SHELVES



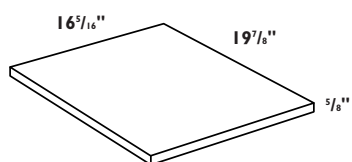
84" HIGH VANITY LINEN HAMPER CABINET FRONT

- Specify L or R door hinging
- Single door top, tilt-out front and single door bottom
- Two hinges per door on lower section and three hinges per door on upper section
- Trimmable 3" per side

FACE FRAME SIZING

	Section	Standard Reveal	Full Overlay
A =	Upper	48-5/8"	49-1/8"
B =	Hamper	7-9/16"	8-7/8"
C =	Lower	22-1/16"	20-3/8"

VLHF24 L or R



VANITY LINEN SHELF

- Adjustable shelf for lower portion of linen cabinet
- Each shelf shipped with four shelf clips
- Laminate on composite panel for Premier construction or birch plywood for Allwood and Extreme construction

VLS21

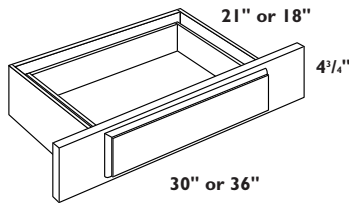


VANITY FILLER OVERLAYS

- Full Overlay styles only
- For filler backplate order UF3 or UF6 (trimmable)

1/8" REVEAL	1/4" REVEAL
2-3/4" w x 28" h	2-1/2" w x 27-1/2" h
5-3/4" w x 28"	5-1/2" w x 27-1/2" h

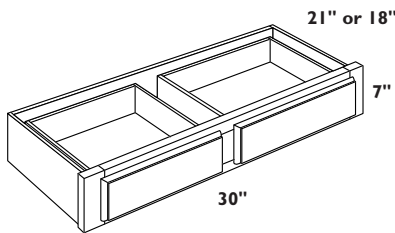
OVF3
OVF6



SINGLE VANITY CABINET DRAWERS

- One thin vanity drawer that is slab profile
- Not available in five piece construction in Arborcrest, LaCeresa, Sedona, Serenity, Town&Country and Waverly door styles. Not available in glaze finish.
- Trimmable 3" each side

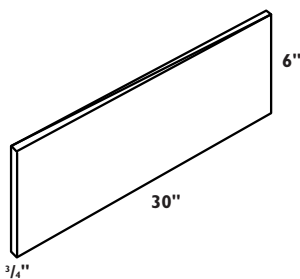
VDD30T (21" deep)
VDD36T (18" deep)



MAKE UP DRAWERS

- Non-trimmable

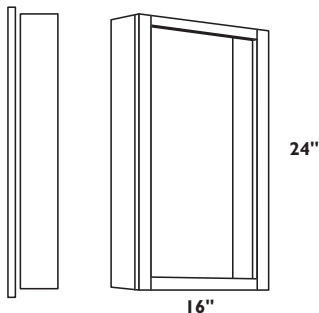
VMD30 (21" deep)
VSMD30 (18" deep)



VANITY BASE PANEL

- 3/4" thick panel

VBP30



MEDICINE CABINET

- Recessed
- Specify L or R door hinging
- Cut out size: 13-7/8" wide x 22-1/4" high
- Cabinet size: 13-1/2" wide x 21-7/8" high x 3-7/8" deep
- Door matches style selected (non-mirrored door)

MCRI624 L or R

